

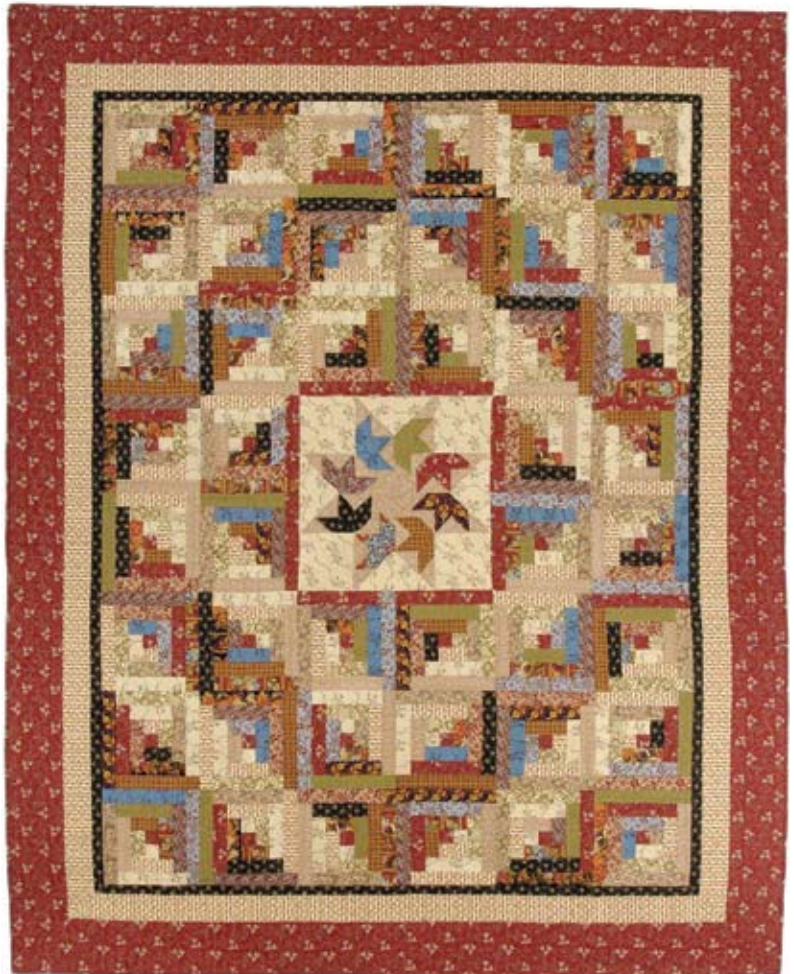
## Revised Swirling Leaves and Logs

### MATERIALS YOU WILL NEED:

2/3 yard each of (2) assorted light prints  
3/4 yard each of (6) assorted dark prints  
1-3/4 yards of a tan stripe  
1 yard of a light cream for star background  
7/8 yard of a tan paisley for star points  
3-1/2 yards of a dark red floral, includes  
binding  
1-1/4 yards of a black star print  
7 yards of backing  
87" x 108" piece of batting

### CUTTING DIRECTIONS:

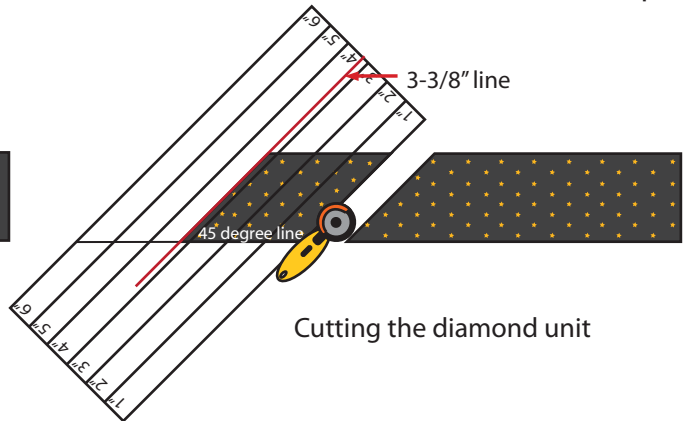
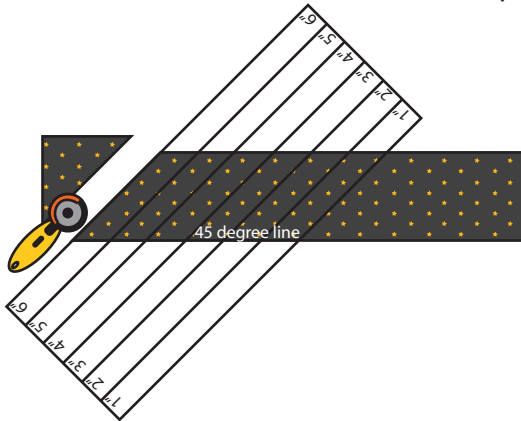
From each of the assorted light prints, cut:  
(10) 2" x 42" strips  
From each of the assorted dark prints, cut:  
(10) 2" x 42" strips  
(1) 3-3/8" x 42" strip  
From the tan stripe, cut:  
(10) 2" x 42" strips  
(10) 3-1/2" x 42" strips  
From the light cream, cut:  
(10) 2" x 42" strips  
(4) 6-3/4" squares  
(2) 7" squares, then cut in half diagonally once to make (4) large triangles  
From the tan paisley, cut:  
(10) 2" x 42" strips  
(8) 4-3/4" squares, then cut in half diagonally twice to make (32) small triangles  
From the dark red floral, cut:  
(10) 2" x 42" strips  
(44) 2" squares  
(1) 3-3/8" x 42" strip  
(10) 6-1/2" x 42" strips  
(10) 2-1/4" x 42" strips, for binding  
From the black star, cut:  
(1) 3-3/8" x 42" strip  
(10) 2" x 42" strips  
(10) 1-1/2" x 42" strips



## SEWING:

### 1. Making the Center Star Block

Cut the end of the 3-3/8" x 42" black star strip with the 45° angle lined up with the bottom edge of the fabric strip. Measure 3-3/8" from point and cut another 45° angle. (Make 3 diamond units) In the same manner, cut (3) diamond units from each of the assorted dark prints and from the 3-3/8" x 42" dark red floral strip.

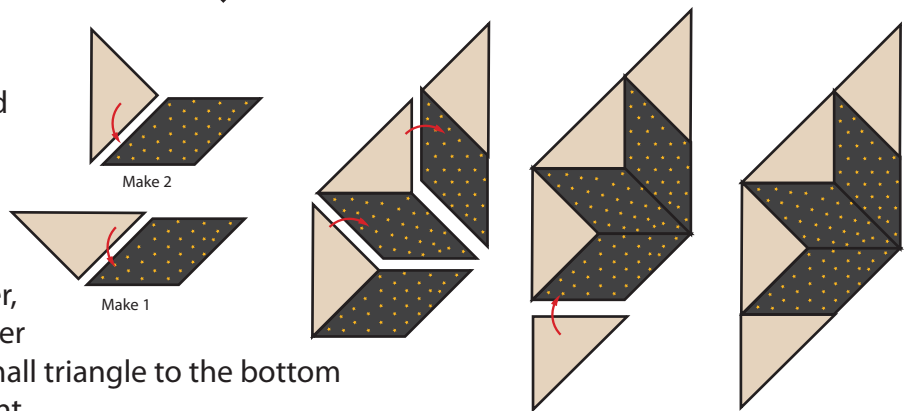


Cutting the diamond unit

Sew the short side of (1) tan paisley small triangle to the side of a black star diamond unit, as shown. (Make 2)

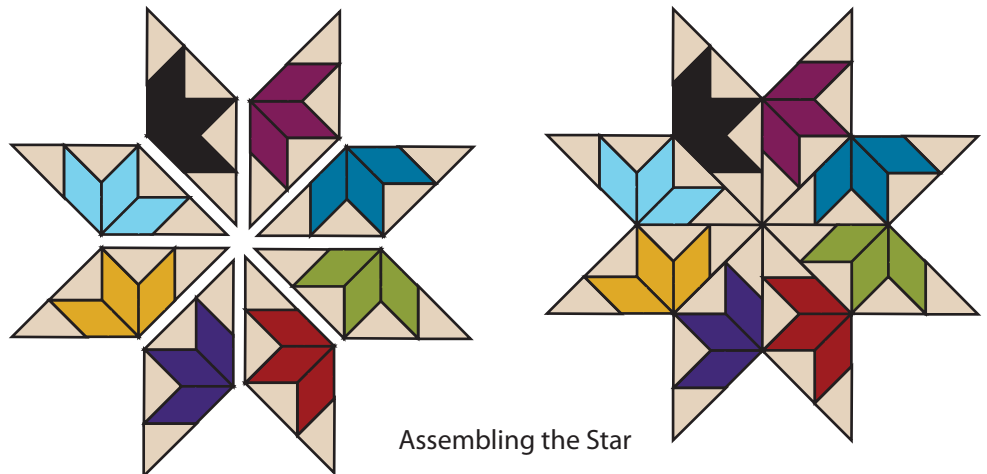
Sew the short side of (1) tan paisley small triangle to the side of the last black star diamond unit in the opposite direction, as shown. Stitch the (3) pieced units together, starting and stopping 1/4" from each corner as for a set-in seam. Sew (1) tan paisley small triangle to the bottom edge of the pieced unit to make a star point.

(Make 8 star points from assorted dark prints.)

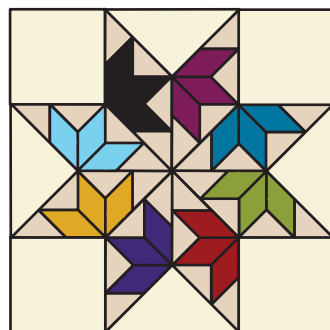
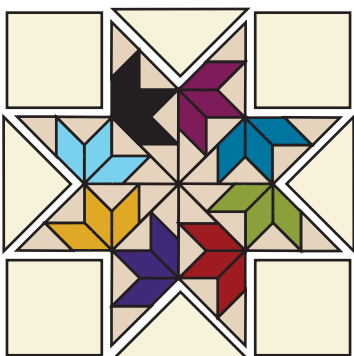


Making the star point

Stitch the star points together along one side to complete the star.



Assembling the Star



Making a center leaf block

Stitch (1) 6-3/4" light cream square to each corner of the star, starting and stopping 1/4" from each corner as for a set-in seam. Sew (1) light cream large triangle to each side of the star, starting and stopping 1/4" from each corner as for a set-in seam to complete a 21-1/2" center star block.

## 2. Making the Log Cabin Block

(Note: All (44) Log Cabin blocks begin with a 2" dark red floral square. The blocks are made in a scrappy manner with light and dark strips of your choice. (8) of the Log Cabin blocks need to be made using a dark red floral strip as the final dark strip and will be used to frame the center star block.)

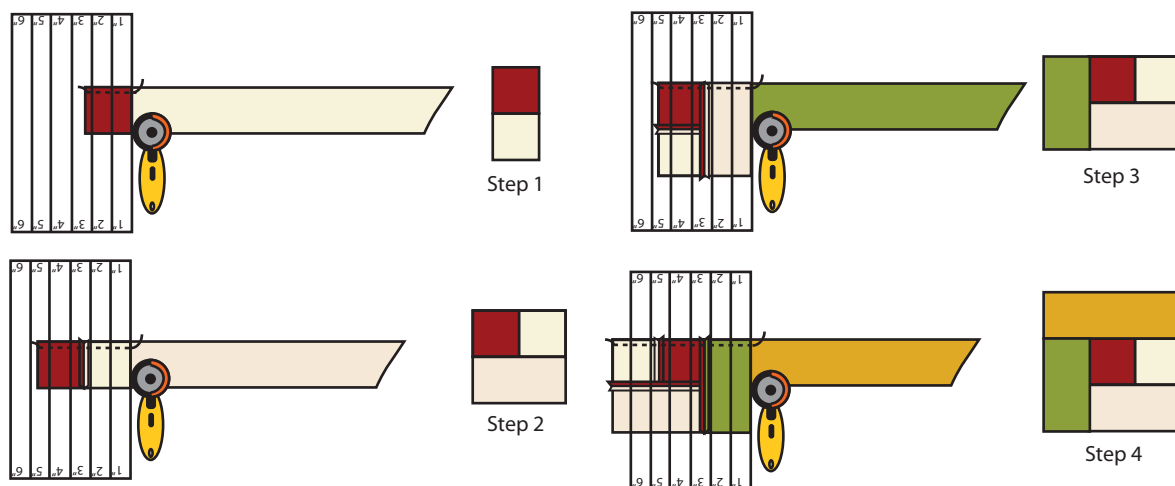
Sew (1) 2" dark red floral square, right sides together, to the top of a 2" x 42" light print strip. Square and trim end of the long strip even with the 2" dark red floral square. Set aside the leftover strip to be used again.

Working in a clockwise fashion, choose a second 2" x 42" light print strip and sew the 2-piece unit, right sides together, to the strip. Square and trim the long strip to make a 3-piece unit. Set aside the leftover strip to be used again.

Choose a 2" x 42" dark print strip and sew the 3-piece unit, right sides together, to the strip. Square and trim the long strip to make a 4-piece unit. Set aside the leftover strip to be used again.

Choose a second 2" x 42" dark print strip and sew the 4-piece unit, right sides together, to the strip. Square and trim the long strip to make a 5-piece unit. Set aside the leftover strip to be used again.

Continue adding and trimming (2) light, (2) dark, (2) light, and (2) dark strips in a clockwise manner to complete a 11" Log Cabin block. (Make 44 scrappy Log Cabin blocks.)



Assembling the Log Cabin block

## 3. Assembling the Quilt

Referring to the quilt photo, lay out the (44) log cabin blocks in (8) rows of (6) blocks each, with the leaf block in the center and the (8) log cabin blocks with red outer strips facing the leaf block. Working in the center of the quilt, join the (4) center Log Cabin blocks on each side of the leaf block to make (2) four-block units. Stitch the leaf block between the (2) four-block units to make the center section of the quilt. Continue joining the horizontal rows of blocks. Stitch the rows together to complete the quilt center.

## 4. Borders

Sew the short ends of the (10) 1-1/2" x 42" black star strips together to make a long strip. Cut (2) 112" strips and (2) 94" strips. In the same manner, sew the (10) 3-1/2" x 42" tan stripe strips and the (10) 6-1/2" x 42" dark red floral strips together to make long pieced strips and trim to the same measurements. Stitch the same size strips together to make (4) long panels, with the stripe in the center. Center and sew the 112" strips to the long sides of the quilt top and the 94" strips to the short sides, starting and stopping 1/4" from each corner. Miter the corners.

## 5. Finishing

Refer to the General Directions for backing, quilting, and binding; use the (10) 2-1/4" x 42" dark red floral strips to bind the quilt.