

Fabric Stash Blocks

Material must-haves to add to your stash
Brought to you by QUILT Magazine

PLEASE NOTE: This fabric stash block first appeared in the February/March 2007 issue of QUILT magazine. Many fabrics have a shelf life of about 6 months to 1 year. These exact fabrics may not still be available for purchase. Take heart! Your favorite quilt shop can help you select suitable substitutes in colors and patterns that will work just as well to make this block.







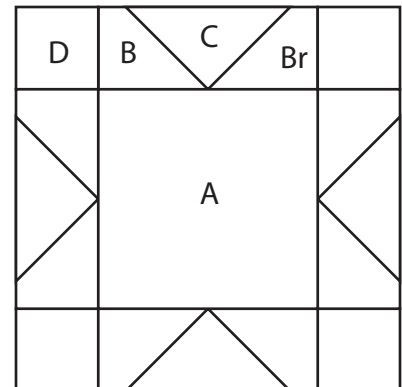
Indian Star- 12"

A Dream Safari

Robert Kaufman's lush new collection, "Native Arts," combines the abstract with the pictorial in powerful prints that stir our dreams of faraway places. A jungle of green leaves, umbrella trees, and a scene of elephants in their natural habitat evoke indigenous flora and fauna of Africa with layers of rich color, texture and striking images. Supporting prints are graphically bold in natural jungle tones with splashes of bright color from fine-feathered parrots and exotic flowers, and from the fascinating primitive woodblock prints that glow like eyes in the shadows. The line presents plenty of unexpected pairings - butterflies with fish prints and mosaics, or animal skins with florals and geometrics. A seductive and imaginative collection. Native Arts Collection by Robert Kaufman Fabrics

info@robertkaufman.com

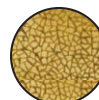
- A  Cut (1) 6-1/2" square main print
- B, Br  Cut (8) green print
(template on next page)
- C  Cut (4) gold print
(template on next page)
- D  Cut (4) 3-1/2" squares



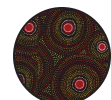
Used for Patch A



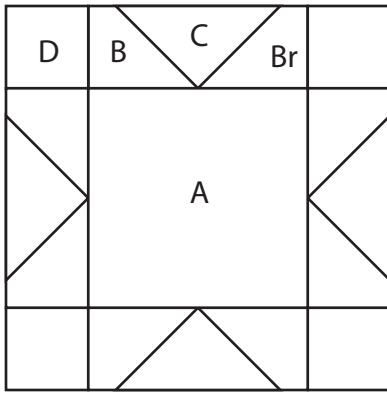
Used for Patch B



Used for Patch C



Used for Patch D



Indian Star- 12"

Fabric Stash Templates

**Material must-haves to add to your stash
Brought to you by QUILT Magazine**

